

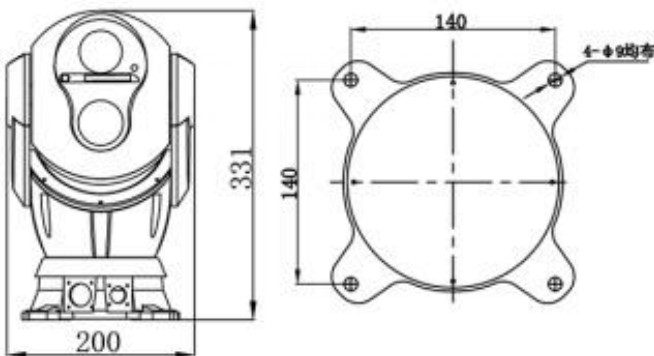
1080P 30X Starlight IP PTZ Camera



Features:

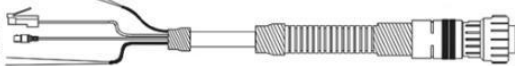
- 30X 1080P@60fps,Starlight
- Working Temperature:-35° ~ +65°
- 360° continuous pan,-60° ~90° tilt with"AUTO FLIP"
- 0° ~100° /s pan speed, 0° ~90° /s tilt speed
- 255 presets, ±0.1° preset accuracy
- Fastest Speed-up & Speed-down for tracking
- IR Night Vision Distance:60-80meters
- 6 Sequence with up to 18 presets
- Built-in Wiper,Vandal proof

Dimensional drawing:



Orange:RS 485+
Yellow:RS 485-

RJ45
Analog Video
Red:12V
Black:GND



SVN-30YS62	
Camera	
Image Sensor	1/2.8 Progressive Scan CMOS Sensor
effective pixels	1920*1080@60fps
min illumination	Colour:0.005Lux@F1.6,B/W:0.0005Lux@F1.6
White balance	AUTO/MANUAL/ATW/INDOOR/OUTDOOR
Focal length	F=4.5-135mm(F1.6 to 4.4)
Optical Zoom	30X
view angle	67.8°~2.77°
AGC	AUTO/MANUAL
S/N Ratio	≥50dB
WDR	Support
Shutter time	1/1~1/30000s
PTZ Function	
Pan preset speed	150°/s
Tilt preset speed	120°/s
Pan control speed	0°~100°/S
Tilt control speed	0°~90°/S
Pan range	360°endless rotation
Tilt range	-60° ~ +90°
Preset positions	256 positions 6 tracking
Control Way	RS485, Built-in 16 protocol, Baud Rate from 2400Bps to 19200Bps optional
Relative Humidity	Less than 90%
IP Grade	IP66
Working Temperature	-35° ~ +65°
Power Supply	DC12V3A
Impact resistance requirements	≥4G
Wiper	Support
Installation	Variety of installation according to the environment
Weight	6kg
Network parameters	
Video Compression	H.264/H.265
Compression output rate	32Kbps—12Mbps
Audio Compression (Optional)	G.722.1、G.711-alaw、G.711-ulaw、MP2L2、G.726
Support Protocol	TCP/IP、HTTP、DHCP、DNS、DDNS、RTP、RTSP、PPPoE、SMTP、NTP、UpnP、SNMP、FTP、802.1x、QoS、HTTPS、IPv6 (SIP、SRTP optional)、GB28181
Interface Protocol	ONVIF/PSIA/CGI/ISAPI
Communication Protocol	PelcoD-P Protocol
Storage Function	Support MicroSD storage
Intelligent Arlarm	Motion detection, mask alarm, full memory, memory mistake
General function	Dual stream, heartbeat, password protection