

# Smart 4G/Network

## Video Alarm panel



### Key Features

- 4 CH H.265/H.264 HD IPC access
- 1080P/720p/WD1/4CIF/DCIF/2CIF/CIF/QCI resolution video recording and supports PTZ control
- 8 on-board wired defense zones, 1 relay output, 1 alarm output, 1 lamp row/lamp box output
- Alarm Linkage Video Review
- Video motion detection, video occlusion, video loss, 30s (2M bit stream, full frame rate) delay preview, time delay configurable
- panel anti-disassembly alarm, detector anti-disassembly alarm
- 8 wireless devices (remote control + wireless detector), the longest remote control distance 100M
- 1 CH RS485 interface
- Capacity 2T SATA 3.5 inch, local video storage
- Built-in battery position, real-time monitoring of battery voltage, automatic switching of main and auxiliary power supply
- Alarm output, keyboard power supply, auxiliary power supply anti-backconnection and over-current protection, Maximum Auxiliary Output 1A (DC 12V)

### Features:

- Network/4G Automatic Fast Switching(Wired broadband priority)
- Supporting 4G wireless routing mode
- Support the transmission of alarm and video data through network, 3G/4G
- Video 0.5 S push, platform automatic pop-up window
- Cloud Backup of Alarm Video, Pushing toward the center: 1-15 s before alarm, 5-300 seconds after alarm, Whole video stream (notes: The length of video stream after alarm can be customized)
- Support hard disk automatic dormancy (when power is off, hard disk stops working, prolongs alarm duration) can be set
- Supporting Haikang, Private Agreement and ONVIF 2.4 Standard Public Agreement
- With matched resistance, no external resistance is required.
- It has 5 network ports (supporting routing mode: 1 WAN port, 4 LAN ports; switch mode: 5 LAN ports)
- panel comes with a loudspeaker (voice Anti-alarm prompt, alarm prompt)
- Support the fault of defense area, automatic bypass (panel continuously detects 3 times and uploads platform alarm, automatic bypass of defense area, automatic failure of bypass after withdrawal of defense, platform prompts fault of defense area after 6 hours)
- Support Mobile Tool APP, Browser, Special Tool Software
- Mobile video APP preview, playback, shouting, mobile phone decommissioning and defense independent channel, does not affect the bandwidth of cloud server
- Support 2000 alarm event records, 500 operation event records, 500 user management operation records, support remote search and query event logs
- Support remote upgrade (without changing the original settings), remote import and export configuration parameters
- Support the setting of the deployment and evacuation time from Monday to Sunday
- Supporting electrical fire early warning equipment (can be docked with third-party voltage, current, residual current, temperature detection and alarm)

## Application:

Professional digital video intelligent control panel is a multi-functional alarm video control integrated panel, which integrates alarm input and output, digital video processing in the defense area. It is mainly used in financial, public security, judicial, transportation, culture, education, health, energy, building and other industries, and can cooperate with platform software, video surveillance subsystem, access control subsystem and other linkage.

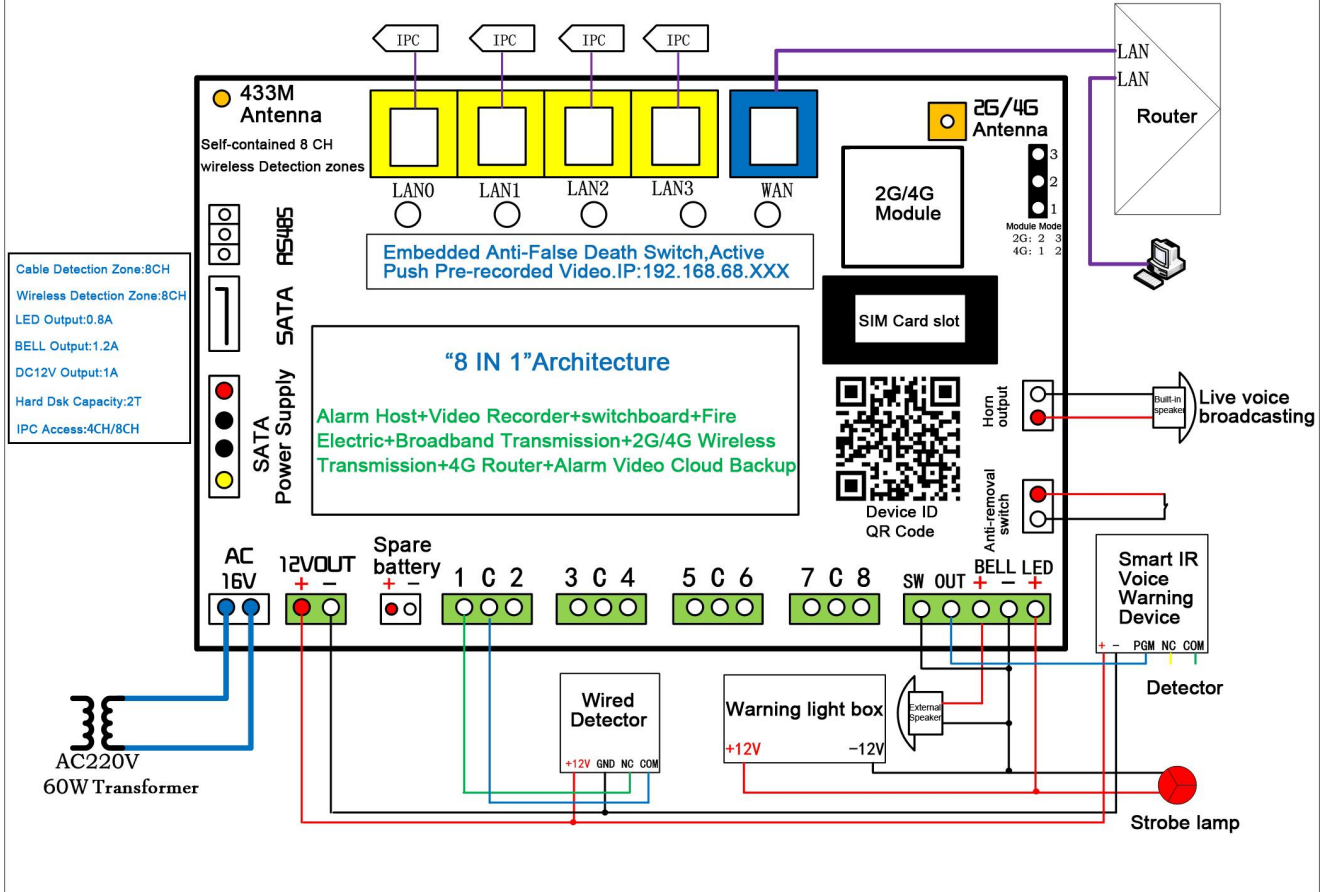
## Technical parameters

Product name	Video Alarm panel(HC408)
<b>Alarm host parameters</b>	
Alarm input	8CH
Alarm output	3CH
Horn power supply	DC12V/1.2A
External power supply	DC12V/1A
Information Transport Port	1CH RS-485
Anti-removal switch	1CH Supporting anti-demolition alarm
Timely deployment/evacuation	Support (Daily Plan, Priority Plan)
Detector anti-demolition alarm	Support
Mobile phone APP	Support alarm push, video preview, video playback, remote deployment/evacuation, SOS rescue, defense area programming and other functions
Number of wireless devices	8CH(The longest wireless distance is 100 meters)
<b>Video/Audio parameters</b>	
Video input	4CH DH IPC H.265/H.264
Network bandwidth	25Mbps
Video Resolution	1080p/720p/WD1/4CIF/DCIF/2CIF/CIF/QCIF
Synchronous playback	4 CH
Delay Preview	Default 30s delay time configurable
Video review	300s video (15 seconds before and after alarm) configurable
Video/Graphics	Manual Video, Timing Video, Mobile Detection Video, Alarm Video
Playback mode	Real-time playback, regular playback, event playback
Hard disk information	1 SATA interface (maximum 2T) 3.5 inch
<b>Wireless parameters</b>	
Wireless standard	GLT:4G TDD-LTE,GLF:4G FDD-LTE,GW:3G WCDMA,GE:3G EVDO
SIM/UIM Card slot	1CH
SMA Antenna interface	1CH
<b>Network</b>	
Network protocol	NTP;SADP;PPPoE;DHCP
Support protocol	Private cloud
Interface protocol	Private cloud
<b>Interface and appearance</b>	
Network port	5CH RJ45 10M/100M adaptive
Battery Spare interface	1CH
RS485	1CH
<b>Others</b>	
Power supply	100-240VAC,47--63HZ

Consumption	≤8W(without hard disks and batteries hard disk, without hard disks and batteries, external power supply)
Working temperature and humidity	-10℃-- +55℃,10%-- 90%
Chassis	Wall mounted
Full integration size(mm)	305*280*80
Weight	3.5Kg(without hard disks and batteries)

## SV408/SV808 2G/4G Dual-network Video Smart Network Alarm Panel

### Main Board Wiring Diagram



Alarm central client V1.0.8.0-BUILD:181217 [49.51.48.37]

Control center Tools Help

Dialer:Disable Server: Trial version Duty:admin CPU:14% NET:0% 2019-04-01 15:15:40

No.	Alarm time	Host NO.	User name	User address	1st Contact	1st Contact Te	Event type	Aide info	DA NO.	Alarm type	Installatic	Probe typ	Classific	Emergency	Te	Proce
151	2019-04-01 15:16:38	0000	1234				Disarm	Remote control d								
150	2019-04-01 15:16:37	0000	1234				General alarm	PIR	002							
149	2019-04-01 15:16:37	0000	1234				General alarm	PIR	001							
148	2019-04-01 15:16:37	0000	1234				Arming	Remote control a								
147	2019-04-01 15:16:37	0000	1234				Sensor trouble	Sensor watch tro	002							
146	2019-04-01 15:16:37	0000	1234				Sensor trouble	Sensor watch tro	001							
145	2019-04-01 15:16:32	0000	1234				Disarm	Remote control d								
144	2019-04-01 15:16:30	0000	1234				Sensor trouble	Sensor watch tro	002							
143	2019-04-01 15:16:30	0000	1234				Sensor trouble	Sensor watch tro	001							
142	2019-04-01 15:15:45	0000	1234				General alarm	PIR	002							
141	2019-04-01 15:15:45	0000	1234				General alarm	PIR	001							
140	2019-04-01 15:15:35	0000	1234				General alarm	PIR	002							
139	2019-04-01 15:15:35	0000	1234				General alarm	PIR	001							
138	2019-04-01 15:15:25	0000	1234				General alarm	PIR	002							
137	2019-04-01 15:15:25	0000	1234				General alarm	PIR	001							
136	2019-04-01 15:15:25	0000	1234				Arming	Remote control a								
135	2019-04-01 15:15:25	0000	1234				Sensor trouble	Sensor watch tro	002							
							Sensor trouble	Sensor watch tro	001							
							Disarm	Remote control d								
							Sensor trouble	Sensor watch tro	002							
							Sensor trouble	Sensor watch tro	001							
							General alarm	PIR	002							
							General alarm	PIR	001							
							General alarm	PIR	002							
							General alarm	PIR	001							
							General alarm	PIR	002							
							General alarm	PIR	001							
							Arming	Remote control a								
							Sensor trouble	Sensor watch tro	002							
							Sensor trouble	Sensor watch tro	001							
							Disarm	Remote control d								
							Sensor trouble	Sensor watch tro	002							
							Sensor trouble	Sensor watch tro	001							

No.	Time	Device	
1	2019-04-01 15:14:23	1234	Delete
2	2019-04-01 15:15:35	1234	Delete

Alarm popup video-1234

2019-04-01 15:16:32

286- ER=0K

No.	1st Contact	Te	Event type	Aide info	DA NO.
			General alarm	PIR	002
			General alarm	PIR	001
			General alarm	PIR	002
			General alarm	PIR	001
			General alarm	PIR	002
			General alarm	PIR	001
			General alarm	PIR	002
			General alarm	PIR	001
			Arming	Remote control a	
			Sensor trouble	Sensor watch tro	002
			Sensor trouble	Sensor watch tro	001
			Disarm	Remote control d	
			Sensor trouble	Sensor watch tro	002
			Sensor trouble	Sensor watch tro	001

Alarm type: General alarm

Aide info: PIR

1st Contacts:

User name: 1234

User address:

DA NO.: 002

Host NO.: 0000

eneration time All

Alarm: 2019-04-01 15:16:37 Untreated: 32