

33X 4G Network 1080P

Vehicle PTZ Camera

Key Features

- Single channel 1080P HD video,storage transmission dual 1080P
- Intelligent bit rate adjustment, greatly reducing the transmission traffic and storage space H.265,backward compatible H.264
- 4G all Netcom communications, remote real-time monitoring, optional dual 4G
- Built in storage card,max 128G,with intelligent bit rate adjustment algorithm,can save much storage space
- Support GPS/Beidou module,accurate locating
- Video overlay 4G signal strength information,local remote real-time read signal quality
- Support two-way voice intercom
- Support shock absorption structure, improve equipment stability
- IR distance:80-100m,optional laser light



Application:

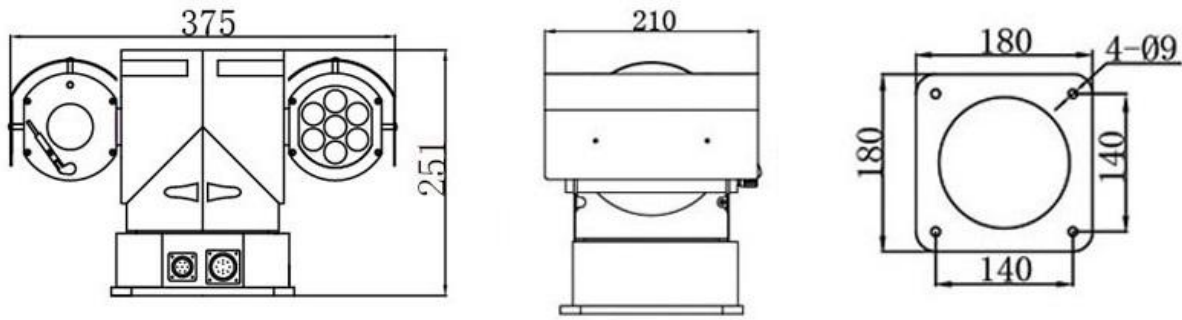
Used in a wide range of fixed point monitoring, vehicle video surveillance, field video surveillance and other places need high-definition monitoring, such as: construction sites, public security vehicles, land resources, sea ports, electricity, ships and so on.

Technical parameters

Product name	4G Network Vehicle HD PTZ Camera	
Camera		
Sensor	1/3" Progressive Scan CMOS	
Focal Length	4.6-152mm,33X Optical	
Aperture Value	F1.6-F4.8	
View Angle	Horizontal: 60.08-2.08° (Min.-Max.) Vertical: 35.32-1.18°	
Min. Distance	10mm-1500mm (Min.-Max.)	
Zoom Speed	3s	

D/N Shift	ICR, Auto, Color, White/Black, Timing, Threshold Control, Rotation
Scanning	Progressive Scanning
Resolution	
Main Stream	50Hz: 25fps(1920×1080,1280×720); 60Hz: 30fps(1920×1080, 1280×720)
Sub Stream	50Hz: 25fps(720×576, 352×288); 60Hz: 30fps(720×480, 352×240)
Third Stream	50Hz: (720×576, 352×288) 25fps;60Hz: (720×480, 352×240) 30fps
Illumination	0.003Lux @(F1.5,AGC ON)color, 0.0005Lux @(F1.5,AGC ON)B/W
Image Adjustment	Saturation, Brightness, Contrast, Sharpness, Hue Adjustment
Image Setting	Privacy Mask, Anti Flicker, Defog, Corridor Mode, Mirror, Rotate, BLC, HLC, Defect Point Compensation, Watch mode, Power off Memory
ROI	4 areas
Focus Mode	Auto/Manual/One Time Focus
Exposure Mode	Auto/Manual/Shutter Priority
Shutter Time	1/25~1/100000
White Balance	Auto 1/Auto 2/Indoor/Outdoor/Manual/Sodium Lamp/White Lamp
WDR	Super WDR, Auto WDR, 0-100 digital adjustment
DNR	2D/3D
Lens Initialization	Built-in Shutter Priority
Digital Zoom	16 X
System Mode	PAL/NSTC
IR Night vision	
IR distance	80~100m
PTZ	
Pan speed	0.6°- 220°/S
Tilt speed	0.8°- 75°/S
Tilt range	0°- 90°,Automatic flip 180°
Pan range	360° contiously rotation
Proportional zoom	Support,change the speed with zoom changed
Preset position	220pcs
Network	
Network	4G
Wire network	1CH RJ45
Storage	Local storage TF card 128G (class10)
Smart Function	Motion Detection, Area Intrusion, Line Crossing, Distortion Correction, Power Off memory, Network off Recovery
Smart Detection	Video Mask, Audio Abnormal, Off-line, IP conflict, HDD Full, HDD Error
Protocol	TCP/IP, HTTP, DHCP, DNS, DDNS, RTP, RTSP, PPPoE, SMTP, NTP, UPnP, SNMP, FTP, 802.1x, QoS, HTTPS, (IPv6 optional)
Compatibility	ONVIF2.4, FV private protocol, CGI, Support HIK/DAHUA protocol
Audio Compression	G.711, AAC
Video Compression	H.265/H.264
General	Heartbeat, Password Protection, Black/White list
Positioning	
support	GPS,BDS dual module
Intercom	
Support	Support cluster intercom (optional)
Others	
Power supply	DC12V±10%
Consumption	Day max 15W night max 50W(with heater)
Working temperature and humidity	-20°C~+60°C 10%~95%(No condensation)
Protect grade	TVS3000V Lightning protection, anti-surge, anti-surge

Full integration size(mm)	490*307*237
Weight	10Kg(including package)
Protect grade	IP66



Software

On computer,download URL:
 157.122.97.214:88/808gps/login.html
 On mobile phone:
 Download application named “CMSV6” ,
 3G/4G real-time video at any time to see.



“CMSV6” for mobile phone



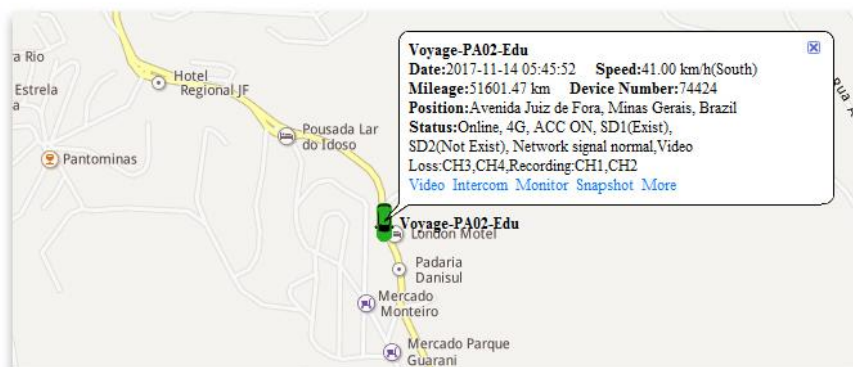
Video playback



“CMSV6” for PC

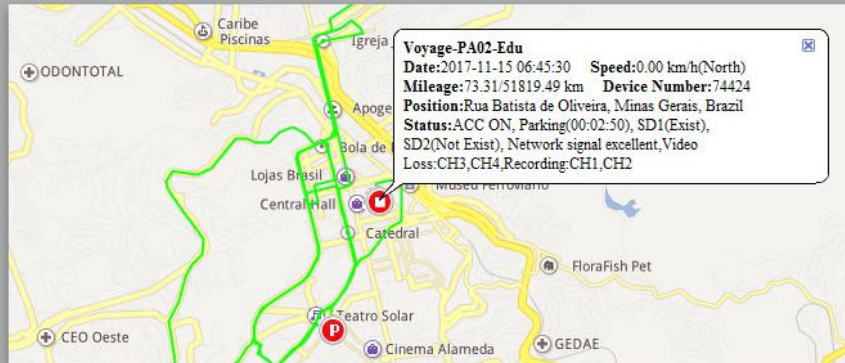
GPS positioning

Realize the vehicle positioning function,
 the map shows that the location of the vehicle,
 vehicle information will be displayed on the map, and so on.



Vehicle track playback

Play back the history of the vehicle trajectory, the user of vehicle driving process be clear at a glance.



Suitable for all vehicles

