

8MP HD AHD TVI CVI

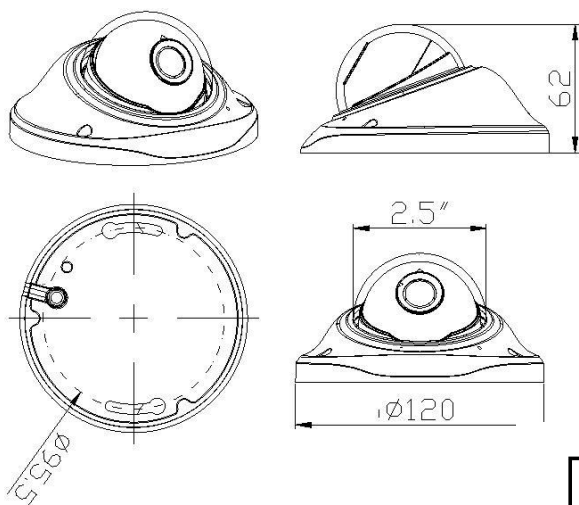
IR Mini Dome Camera



Key Features

- 1/2.8" Sony IMX415 CMOS Sensor
- 3840*2160@15fps HD video output
- AHD/TVI/CVI/CVBS video output
- BNC interface, Support Over 500m via 75-3 coaxial cable;
- Support TVI/AHD/CVBS video output,
- High efficiency, long-distance, real-time transmission
- OSD Menu, DWDR, BLC, White balance, 3DNR,
- Privacy masking, Motion Detection, Digital zoom ;
- IR cut function, Day@Night surveillance
- Ø5X12PCS IR LEDS, IR Distance: 10M

Dimension(unit : mm)



Technical parameters

Model	SV-D6S80TAC
VIDEO	
Imaging Device	1/2.8" Sony IMX415 CMOS Sensor
Effective Pixels	3840(H)*2160(V)
Horizontal Resolution	4K(8MP)
Video Frame Rate	PAL/NTSC
Day&Night	Auto ICR cut
S/N(Y signal)	50dB
WDR	120DB
Min.Illumination	Color 0.01Lux@F1.2, 0Lux IR on
BLC	Auto
AWB	Auto
White Balance	Auto
Electronic Shutter	AUTO/ 1/50(1/60)-1/100,000sec
Video Output	BNC: AHD/TVI/CVI/CVBS video output
Transmission distance	Up to 500 meters lossless transmission with 75-3 coax
Lens	
Focal Length	2.8 fixed lens
ELECTRICAL	
Input Voltage	DC 12V10%
Power Consumption	DC12V/100Ma(IR ON 250ma)
Other	
IR LEDS	Ø5X12PCS IR LEDS
IR Distance	10M
Operation Tem.	-10C~ +50C RH95% MAX
Storage Tem.	-20C~+60C RH95% MAX
weight	0.5KG
Dimensions	120(L)x62(W)mm

