

4MP 33X Optical Zoom 500M

IR Laser IP PTZ Camera



Key Features

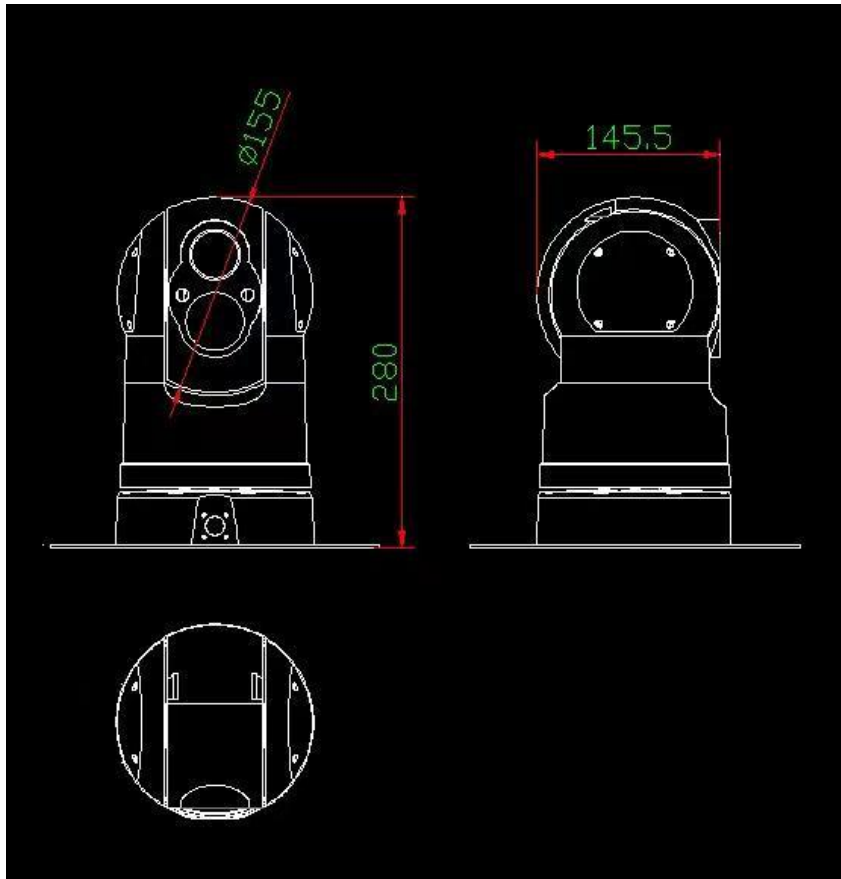
- 4MP 2560*1440@30fps video output
- 5.3-175mm focal length, 33x optical zoom
- IR Laser Distance: 500M
- Horizontal: 360° continuous speed: 120° /S, vertical: -20~90° speed: 60° /S
- 6 tour tracks, 128 preset positions
- Support H.265/H.264/MJPEG Video Compression Algorithm
- Strong light suppression, fog transmission, 120dB wide dynamic
- Support Micro TF card storage up to 256G
- Protection grade: IP67; Aluminum alloy precision casting shell, impact resistance, corrosion resistance
- Can be used in a variety of harsh environments, support camera -35 ° start

Technical parameters

Model	
Model No.	SVN-AJ-CR200-A
Camera	
Image Sensor	1/2.8" CMOS
Minimum Illumination	Color: 0.01; B/W: 0.01
Shutter	1/25s to 1/100,000s
Day/Night Switch	IR cut filter
Lens	
Focal Length	5.3-175mm, 33X Optical Zoom
Aperture Range	F1.6-F4.3
Horizontal field of view	57-1.7°(wide-tele)
Effective distance	0.1m- Infinitely Far (wide-tele)
Zoom speed	Approximately 6s(optical lens, wide to tele)
Laser	
Distance	500m
Wavelength	850±10nm(940nm / 980nm)
Laser chip power	2.0±0.3W
Pan&Tilt	
Horizontal preset speed	120°/S
Vertical preset speed	60°/S
Horizontal manual speed	0° ~120° /S

control	
Vertical manual speed control	0° ~60° /S
Horizontal angle	360° unlimited position
Vertical angle	+90° ~-20°
Preset position	128 preset positions, 6 tour tracks
Compression Standard	
Compression standard	H.264/H.265: Baseline, Main Profile, High Profile, MJPEG
Video Code Rate	64 Kbps~16Mbps
Audio Compression	G.711A, AAC, G711U, G726.
Audio Code Rate	41.8/64/128Kbps
Image	
Main Stream	50Hz: 25fps (2560*1440, 23040*1296, 1920*1080, 1280*720); 60Hz: 30fps(2560*1440, 2304*1296, 1920*1080, 1280*720)
Third Stream	50Hz: 25fps (1280*720, 720*576, 352*288); 60Hz: 30fps (1280*720, 720*480, 352*240)
Digital Doubling	16X
Lens initialization	Built-in
Spotlight Mode	Automatic / manual / semi-automatic / primary focus
Wide Dynamic	120dB
Image Adjustment	Adjustable brightness, contrast, saturation, sharpness, chroma, etc.
Image Settings	Area blocking, anti-flicker, defogging, mirroring, flip, backlight compensation, glare suppression, bad spot compensation, wake, power down memory, electronic anti-shake, distortion
ROI	4 Area settings
Smart Detection	Perimeter detection, line mixing detection
Smart Alarm	Motion detection, video blocking, network disconnection, hard disk error, IP conflict, disk full
Network	
Network	1 RJ45 10M/100M adaptive Ethernet port
Protocols	TCP/IP,ICMP,HTTP,HTTPS,FTP,DHCP,DNS,DDNS,RTSP,RTCP,PPPoE,NTP,UPnP,IGMP,QoS,SR,TMP,IPv6
Interface Protocol	ONVIF(PROFILE S,PROFILE G)
General	
Storage	TF Card Local Storage 256G
Power Supply	DC 12V/4A POE
Operating temperature	-40°C~55°C
Relative Humidity	90%
Protection class	IP67
Impact resistance requirement	≥5G
Weight	5kg

Dimensional drawings



Installation base size drawing

