

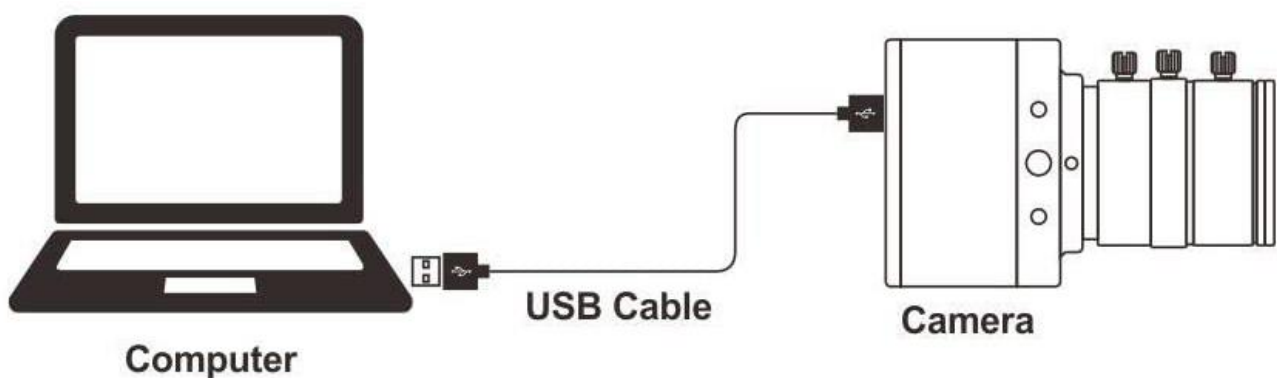
HD live Streaming Webcam

Product Features:

- **Full HD images:** 4K30 fps USB3.0 Interface.
- **Full HD images:** Using 1/2.7 inch Sony 415 image sensor, Present clear and realistic HD videos that vividly show the expressions and movements of your characters.
- **Rich video interface:** Support USB 3.0 B-type interface video output;
- **Professional graphic style:** It can well support beauty and jewelry style live Streaming.
- **Multiple video compression standards:** The interface supports YUY2, MJPG, H264, and video compression formats, through potpalyer etc.
- **Low noise and high signal-to-noise ratio:** The low-noise CMOS effectively ensures the ultra-high signal-to-noise ratio of the camera video; Advanced 2D and 3D noise reduction technology is used to further reduce noise while ensuring image clarity.
- **Easy to use:** No need to download the driver, USB output plug and play, with a convenient and simple user experience;



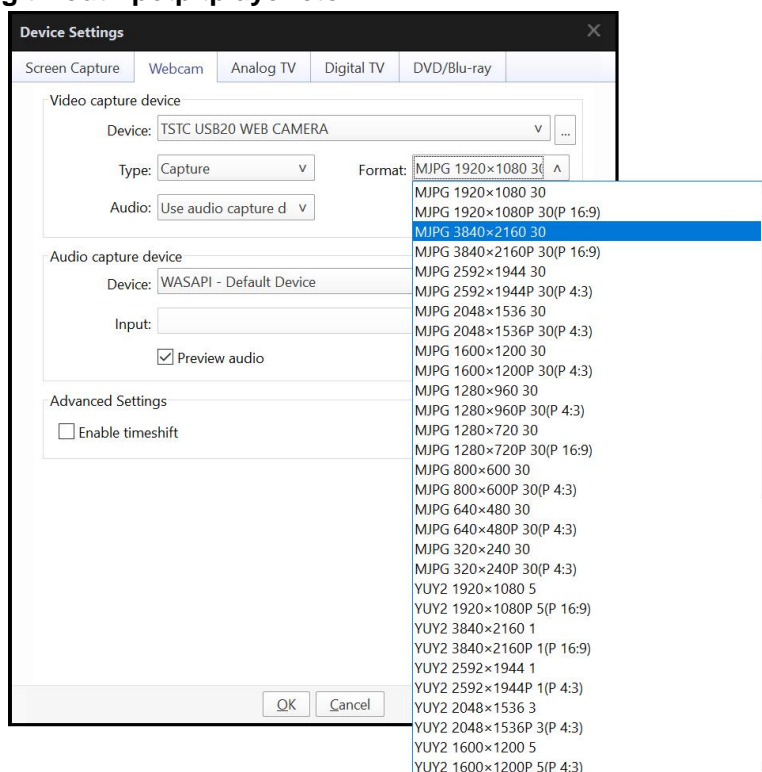
USB Connection Method:



Technical parameters:

Parameters/models	SN43-0612
Camera, lens parameters	
Image sensor	1/2.7 Sony 415 CMOS sensor
Effective pixels	8MP; 16:9
Video signal	USB3.0 output supports video formats: 3840*2160@30, 2592*1944@30, 2048*1536@30, 1600*1200@30, 1280*960@30, 1280*720@30, 800*600@30, 640*480@30, 320*240@30, setting through potplayer etc.
Lens	6-12MM C-Mount Lens
Focus mode	Manual Focus
Field of View	32°-61°
Minimum illumination	0.1Lux(F1.8, AGC ON)
Digital noise reduction	2D & 3D digital noise reduction
Signal-to-noise ratio	>50dB
Backlight Compensation	Auto
White Balance	Auto Tracking White Balance
Interface functional performance	
Video output interface	1 USB3.0 interface: B-port, support video output
Video compression	YUY2, MJPG, H.264
Other parameters	
USB voltage	5V
USB current	1A(max)
Power consumption	5W(max)
Storage temperature	-10°C ~ +60°C
Storage humidity	20% ~ 90%
Operating temperature	-10°C ~ +50°C
Operating humidity	20% ~ 80%
Dimensions (WxHxD)	81mm×55mm×55mm
Weight	175g
Usage environment	indoors

Video signal, setting through potplayer etc:



Brand: SDTNOVA

Customer support: marketing@starview-tech.com