

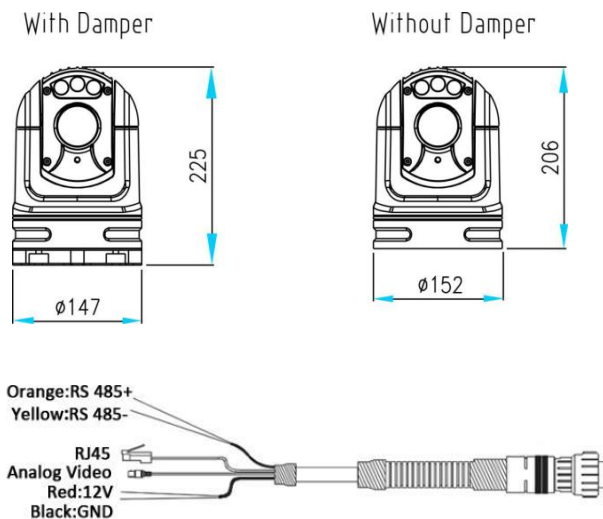
# 1080P 33X Optical Zoom Starlight PTZ IP66 Vehicle Camera



## Features:

- Aluminum PTZ case with high-strength
- Powerful AUX IR system, range up to 60 meters
- 33X optical zoom, Starlight
- 360° continuous pan, -20° ~90° tilt with "AUTO FLIP"
- All-day protective cover, built-in low-temperature
- 0.05° ~100° /s pan speed, 0.05° ~100° /s tilt speed
- Fastest Speed-up & Speed-down for tracking
- 255 presets, ±0.1° preset accuracy
- 6 Sequence with up to 18 presets
- Optional anti salt corrosion surface
- 1080P HD Video for Storage and Transmission with H.265 Encoder
- With BNC CVBS output

## Dimensional drawing:



SVN-33DH61W-B	
Camera	
Image Sensor	1/2.8" Progressive Scan CMOS
effective pixels	1920*1080
min illumination	Colour:0.001Lux@F1.5,B/W:0.0005Lux@F1.5
White balance	AUTO/MANUAL/ATW/INDOOR/OUTDOOR
Focal length	F=5.5-185mm(F1.5 to 4.0)
Optical Zoom	33X
view angle	60.5°~2.3°
AGC	AUTO/MANUAL
S/N Ratio	≥50dB
WDR	Support
Shutter time	1/1~1/30000s
Exposure mode	AE / Aperture Priority / Shutter Priority / Manual Exposure
Focus mode	Auto Focus / One Focus / Manual Focus / Semi-Auto Focus
Area exposure / focus	Support
Optical fog	Support
Image stabilization	Support
Day/Night Switch	Automatic, manual, timing, alarm trigger
3D noise reduction	Support
Picture overlay switch	Support BMP 24-bit image overlay, customizable area
Region of ROI	supports three streams and four fixed areas
Pan&Tilt	
Pan Range	360°endless
Pan Speed	0.5°~80°
Tilt Range	-20°~90°
Tilt Speed	0.5°~60°
Number of Preset	255
Patrol	6 patrols, up to 18 presets per patrol
Pattern	4 , with the total recording time not less than 10 minutes
Infrared	
IR Distance	60m
Angle	Adjustable by zoom
RS-485 Protocols	Pelco-P, Pelco-D
Baud Rate	2400bps, 4800bps, 9600bps, 19200bps (self-adaptive)
Video Output	BNC,RJ45
Power Supply	DC 12V 2A
Power consumption	30 W
Working Environment	-20 °C~65°C
Weight	3.5 kg
Ingress Protection	IP 66