

# vehicle dual sensor PTZ

## with Thermal Imaging



### Key Features

- 2.0MP 1/2.8" Progressive Scan CMOS;
- 33X(F5.5-180mm) optical zoom;
- Optional Thermal Lens, up to 25mm;
- 384\*288 resolution, high sensitivity sensor, support contrast adjustment;
- Weatherproof IP66, 4000V lightning protection;
- ONVIF comply;
- ideal for mobile surveillance, for vehicle, marine application

### Application

Enclosed with aluminum housing and excellent sealing solution, the camera is designed with an ingress protection rating of IP66, protecting the internal components from dust, dirt and liquids.

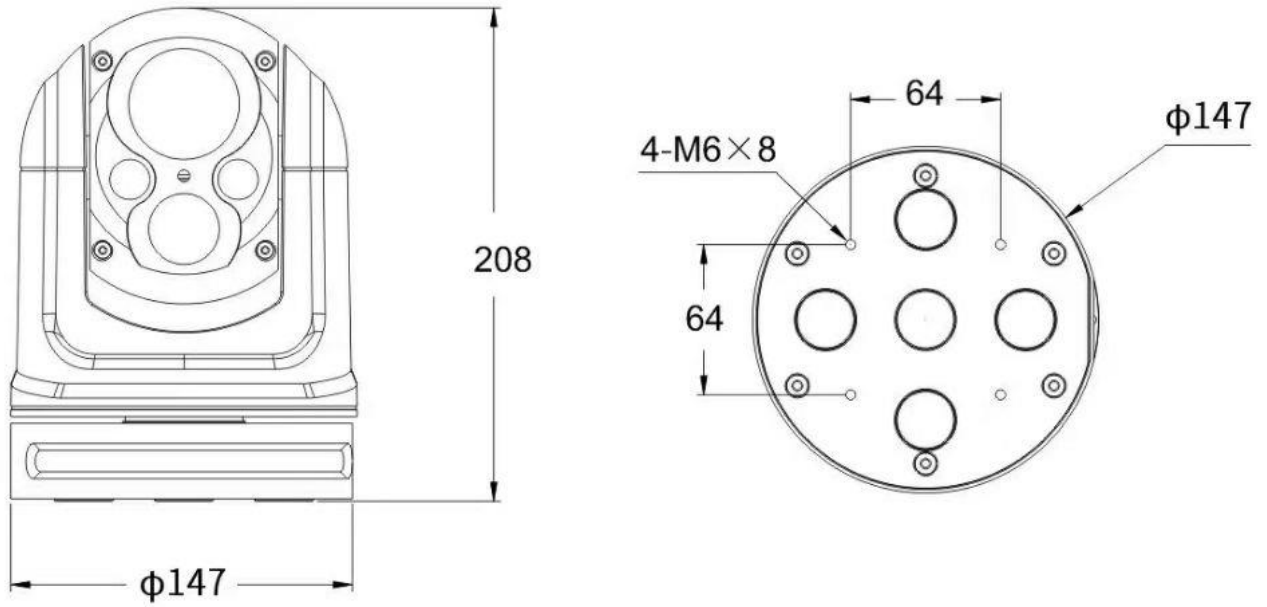
The rugged, mobile mounting options make this camera ideal choice for many mobile surveillance application:like law enforcement, military vehicle surveillance, specialized robot, marine surveillance.

### Technical parameters

Model	
Model No.	SVN-30X71TH
Thermal Imaging	
Array format/Pixel pitch	384x288/17 $\mu$ m
Lens	15mm(10mm, 19mm, 25mm Optional)
HOV	25°X19°
F#	1.0
Thermal Imaging Ethernet	
Ethernet	Control and Imaging
Type	Gigabit
Standard	IEEE 802.3
Connector Type	RJ45
Image Streaming	RTSP, ONVIF
Protocols	TCP, UDP, ICMP, DHCP
Temperature measurement	
Temperature range	-20°C~550°C
Temperature measurement accuracy	$\leq\pm 2^{\circ}\text{C}$
Software function	

Parameter setting	Video adjustment, Alarm temperature setting, Temperature measurement parameter setting, Full screen mode setting, Image segmentation settings, etc
Temperature measurement	Mouse temperature measurement, Temperature cursor overlay, Full screen maximum temperature / minimum temperature
Alarm	Multiple alarm temperature points, Alarm snapshot, Alarm switch, Alarm sound switch
Video recording	Video recording switch, Manual recording, Automatic recording
Historical data query	Query historical alarm data, Process historical alarm data
<b>Visible Camera</b>	
Image Sensor	2.0MP, 1/2.8" Progressive Scan CMOS
Effective pixel	1920*1080, 2.0MP
Min. Illumination	Color:0.01 Lux; Black:0.0005Lux
Focal Length	5.5-180mm; 33x optical zoom
Aperture Range	F1.5-F4.0
HOV	60.5-2.3°(wide-tele)
Minimum Working distance	100mm(wide)-1000mm(tele)
Automatic control	ATW, Automatic gain, Auto exposure
Signal to noise ratio	≥55dBG
BLC	On / off
Shutter	1/25~1/100,000sec
Day/Night Switch	IR cut filter
Digital zoom	16X
Focus mode	automatic / manual
<b>Pan/Tilt</b>	
Pan Range	360° (endless)
Pan Speed	0.05° ~ 80°/s
Tilt Range	-25° ~ +90°
Tilt Speed	0.05° ~ 60°/s
Proportional zoom	support
Preset	255
Power-off self-locking	support
Data interface	RJ45 10Base-T/100Base-TX
Frame rate	25/30fps
Video compression	H.265/H.264/MJPEG
Interface Protocol	ONVIF
Network protocol	TCP/IP, ICMP, HTTP, HTTPS, FTP, DHCP, DNS, RTP, RTSP, RTCP, NTP, SMTP, IPv6
Dual stream	support
Local storage	Micro SD card storage
Security	Password protection, Multi-user access control
<b>General</b>	
Power	DC 10V-24V
Power consumption	24w
Working temperature	-20°C~65°C
Working humidity	<90%
Ingress Protection	IP66,4000V lightning protection

## Dimensions



## Application

