

# 20X Zoom 4K/30fps HDMI/USB3.0

## Network Conference Camera



### Key Features

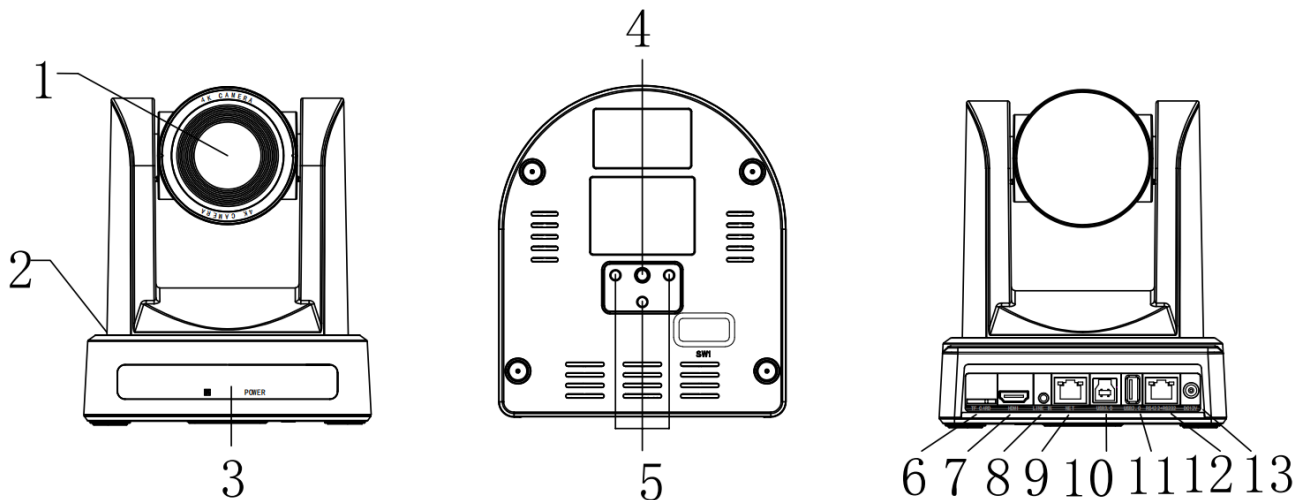
- 1/2.5" 4K(3840\*2160)@30fps Exmor R CMOS Sensor
- 20X (5.5~110mm) Optical Zoom, 12X Digital Zoom
- 2D/3D noise reduction algorithm, wide dynamic range
- Pan&Tilt operates quietly and smoothly, with precise and rapid positioning and a maximum horizontal speed of 100 °/s;
- HDMI, USB3.0, Network HD Video output;
- RS232, RS485, IP external control interface;
- With multi-function infrared remote control, easy to operate.
- Support auto-tracking, TF card recording.
- Work on Zoom, Facebook, Youtube, SKype, OBS, Potplyer, AMCAP, etc.

### Technical parameters

Model	
Model No.	SVN-4K30U20P
Camera	
Signal system	3840*2160P30/25, 1080P60/50/30/25, 720P60/50
Image Sensor	1/2.5"8MP Exmor R CMOS Sensor
Scanning mode	progressive
Digital zoom	12X
Minimum illumination	0.1Lux@F1.6 (color), 0.01Lux@F1.6 (B&W)
Shutters	1/30s ~ 1/10000s
White balance	Automatic, Indoor, Outdoor, Manual
BLC	Support
Digital noise reduction	2D&3D Digital noise reduction
Signal-to-noise ratio	≥52dB
HOV	10x: 55°(Wide) ~ 5.5°(Far) f=5.7~57mm 12x: 70.5°(Wide) ~ 5.9°(Far) f=4~48mm 20x: 58°(Wide) ~ 2.9°(Far) f=5.5~110mm
Horizontal rotation	± 170°
Vertical rotation	-30° ~ +90°
Horizontal rotation speed	1 °/s ~ 100 °/s
Vertical rotation speed	1 °/s ~ 60 °/s
Mirror	Support Horizontal, Vertical
Preset	255
Preset Accuracy	±0.1°
I/O interface	
HDMI 2.0	Max 4K30

USB 3.0	Max 4K30
TF Card	Support TF card recording, multiple time period recording, audio recording
Network Encoding	H.265/H.264/MJPEG
Network protocol	IPv4, TCP, UDP, HTTP, NTP, DNS, DHCP, ARP, RTSP, RTP, RTCP, RTMP, NDI, ONVIF, VISCA OVER IP
Communication interface	1 CH RS-232 IN, max. distance: 30 meters, VISCA/Pelco-D/Pelco-P protocol 1 CH RS-422, max. distance: 1200 meters, VISCA/Pelco-D/Pelco-P protocol
Power supply	JEITA Type (DC IN 12V) HEC3800
<b>General</b>	
Input voltage	AC110V-AC220V to DC12V/1.5A
Current	DC12V(DC11.5-DC12.5V)
Operating temperature	0°C ~+45°C
Storage temperature	-10°C ~ +60°C
Power consumption	12W(Max)
Size	173*150*175.5mm
Package Size	355mm*270mm*255mm
Weight (net)	2KG(1.2KG)

### Interface diagram



1. Lens	6. TF Card Slot	11. USB2.0 Interface(Reserve)
2. Camera	7. HDMI Interface	12. RS232/RS485 Interface
3. Remote Control Receiver, Power Indicator	8. LINE IN Interface	13. DC12V Interface
4. Mounting screw holes	9. Network Interface	
5. Mounting Positioning Holes	10. USB3.0 Interface	

# Size

